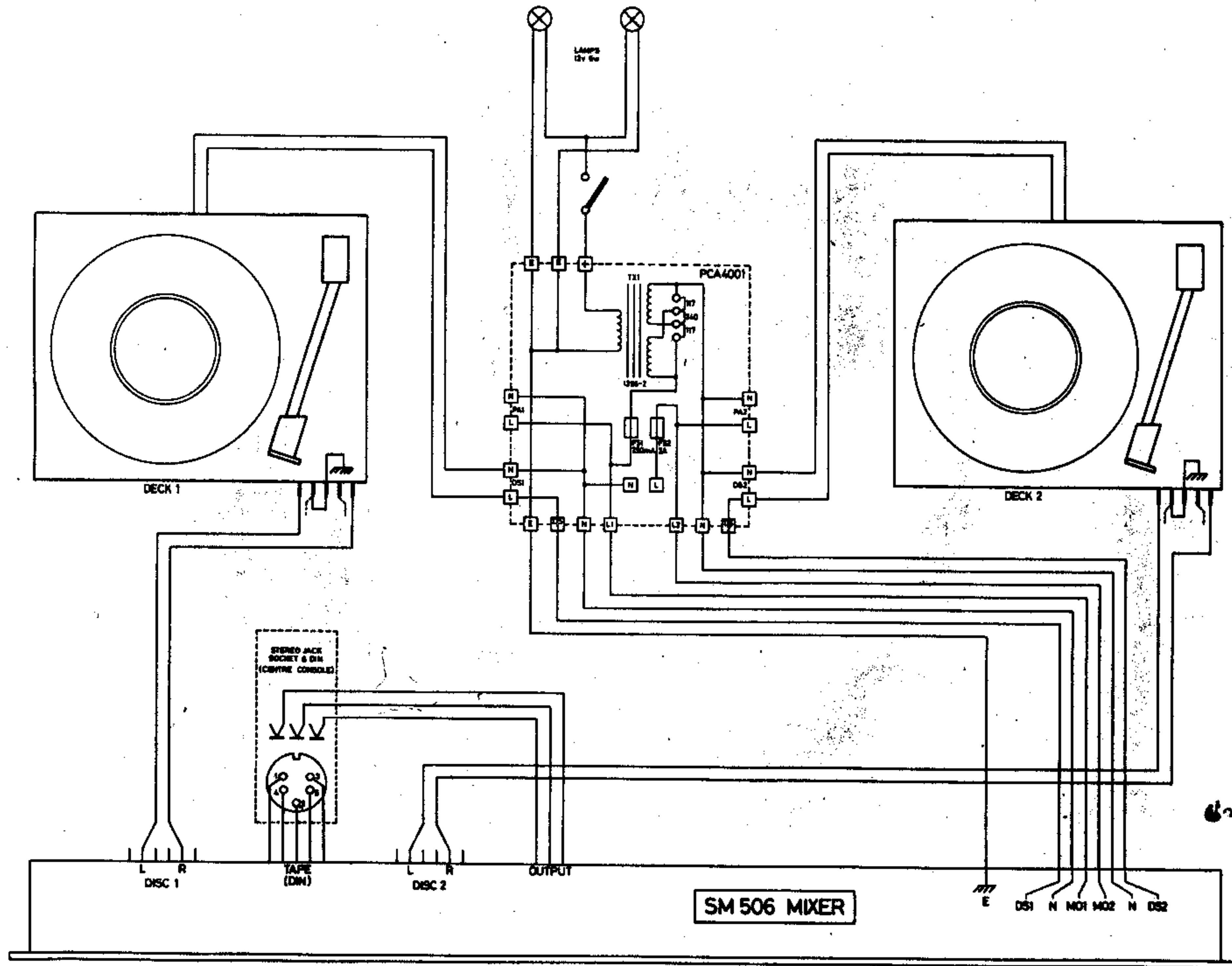
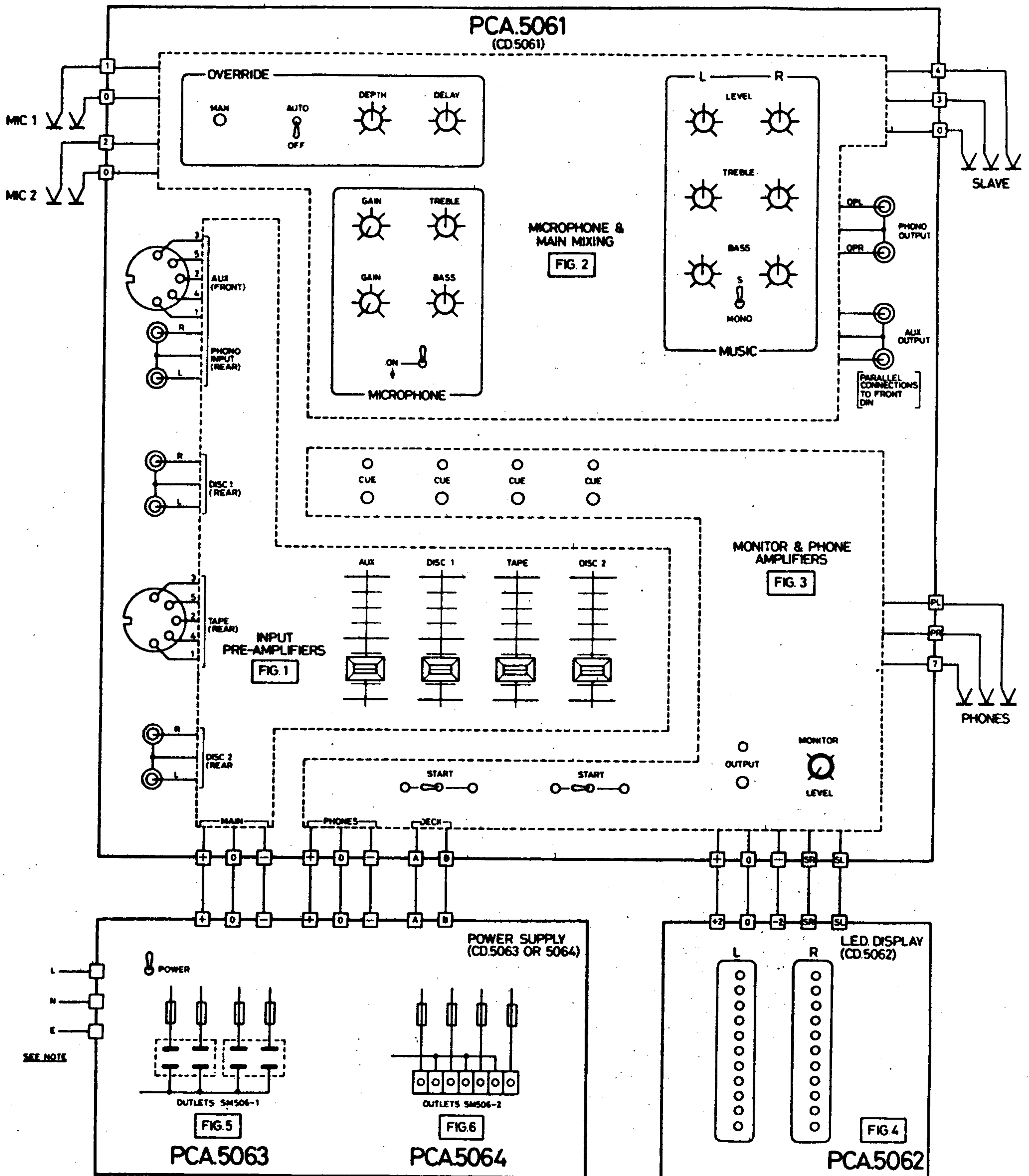


WIRING DIAGRAM FOR STEREO HAWAII (WD 10/5)



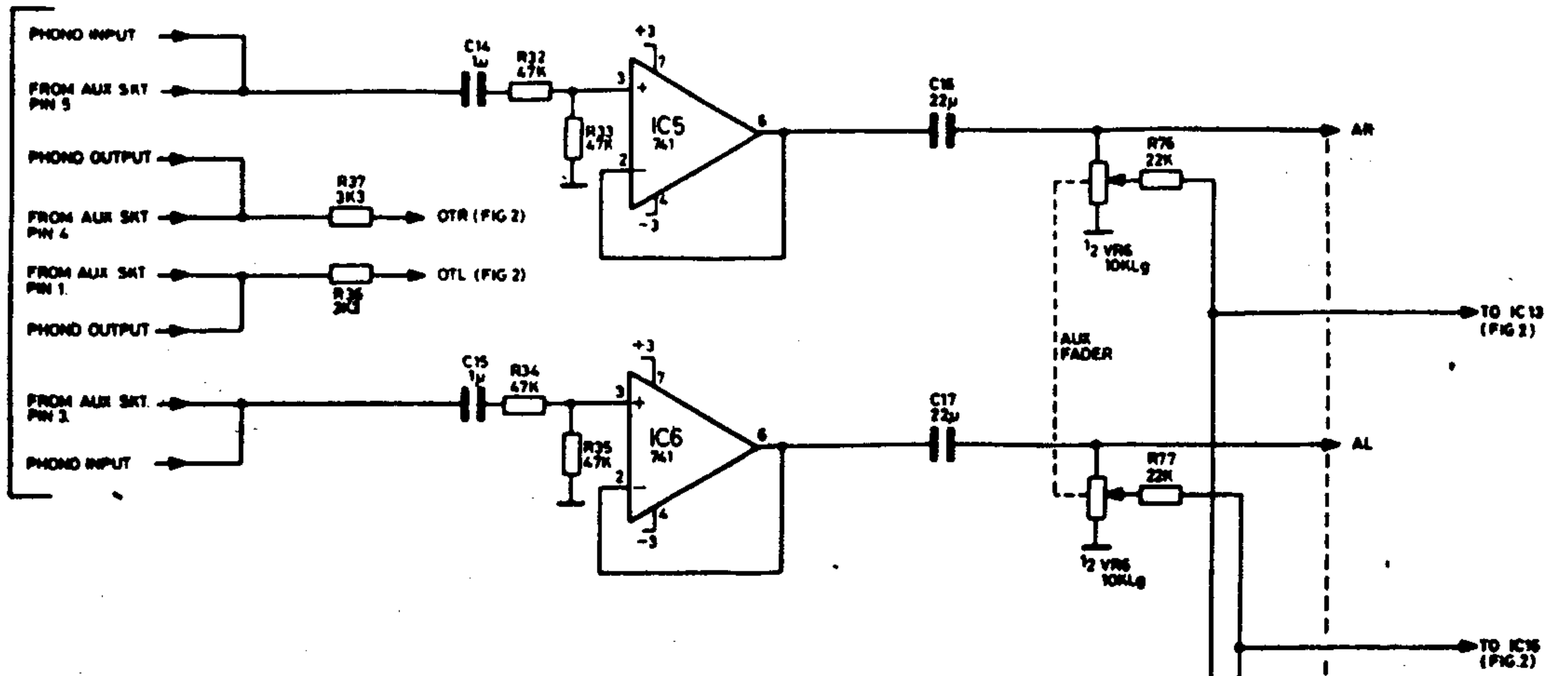
WIRING DIAGRAM FOR STEREO HAWAII (WD 10/5)



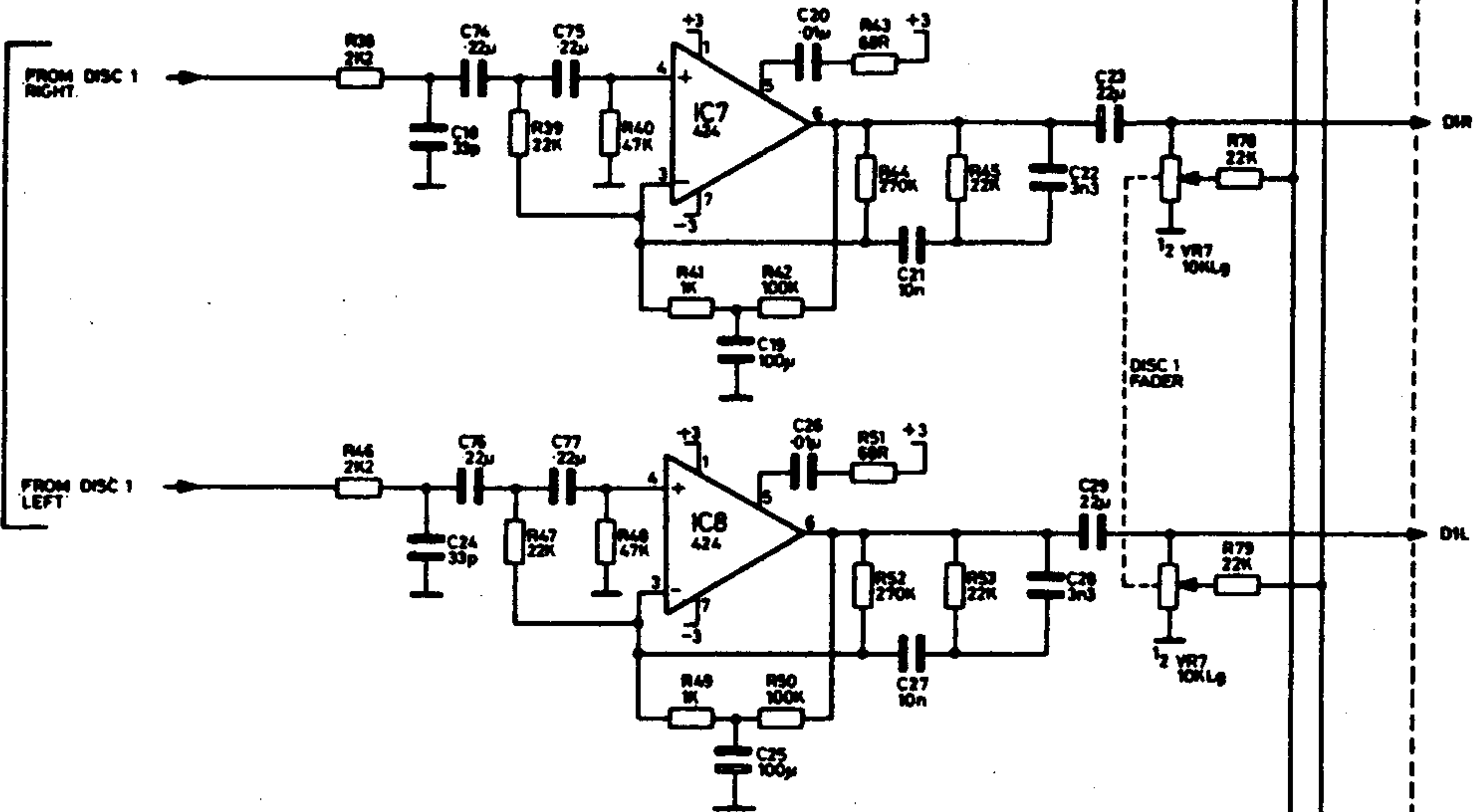
BLOCK DIAGRAM FOR SM506 MIXER

NOTE:
SMS06-2 (31 VERSION) MAINS VIA 3-PIN INPUT
PLUG/SOCKET & HD SWITCH

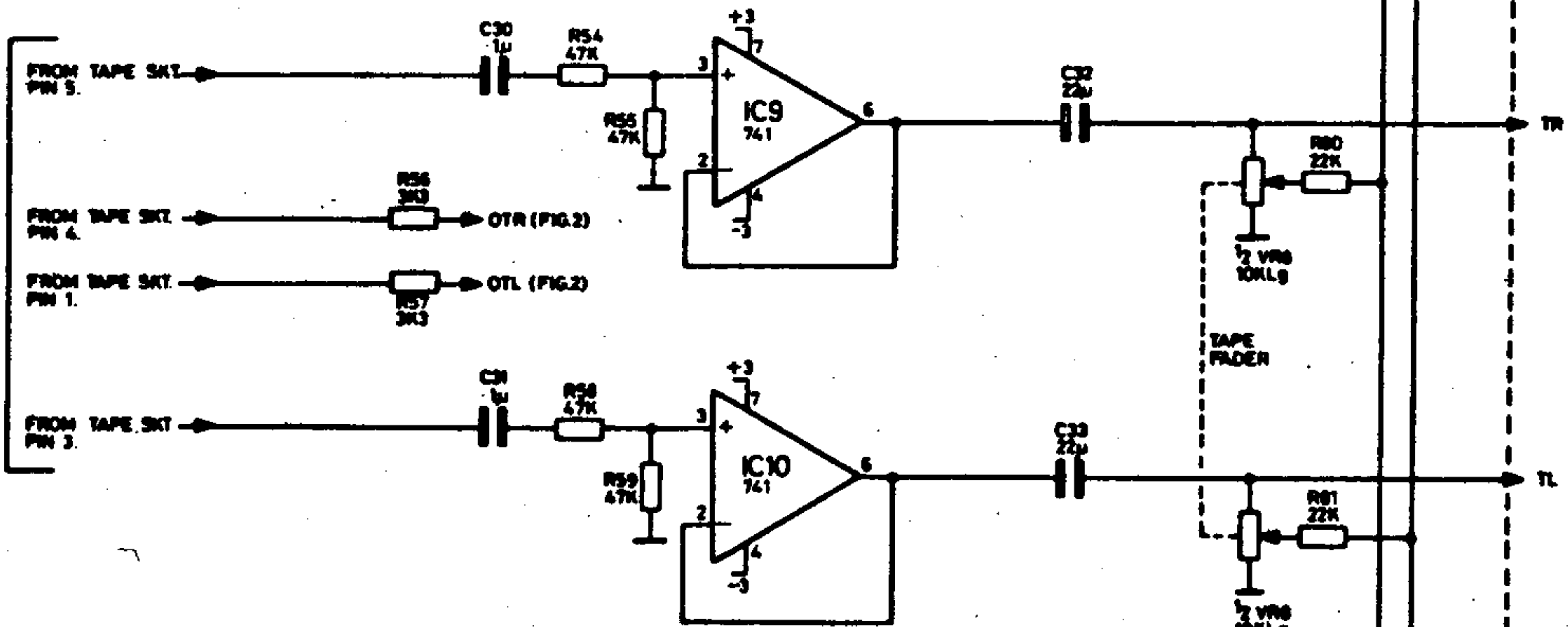
AUX



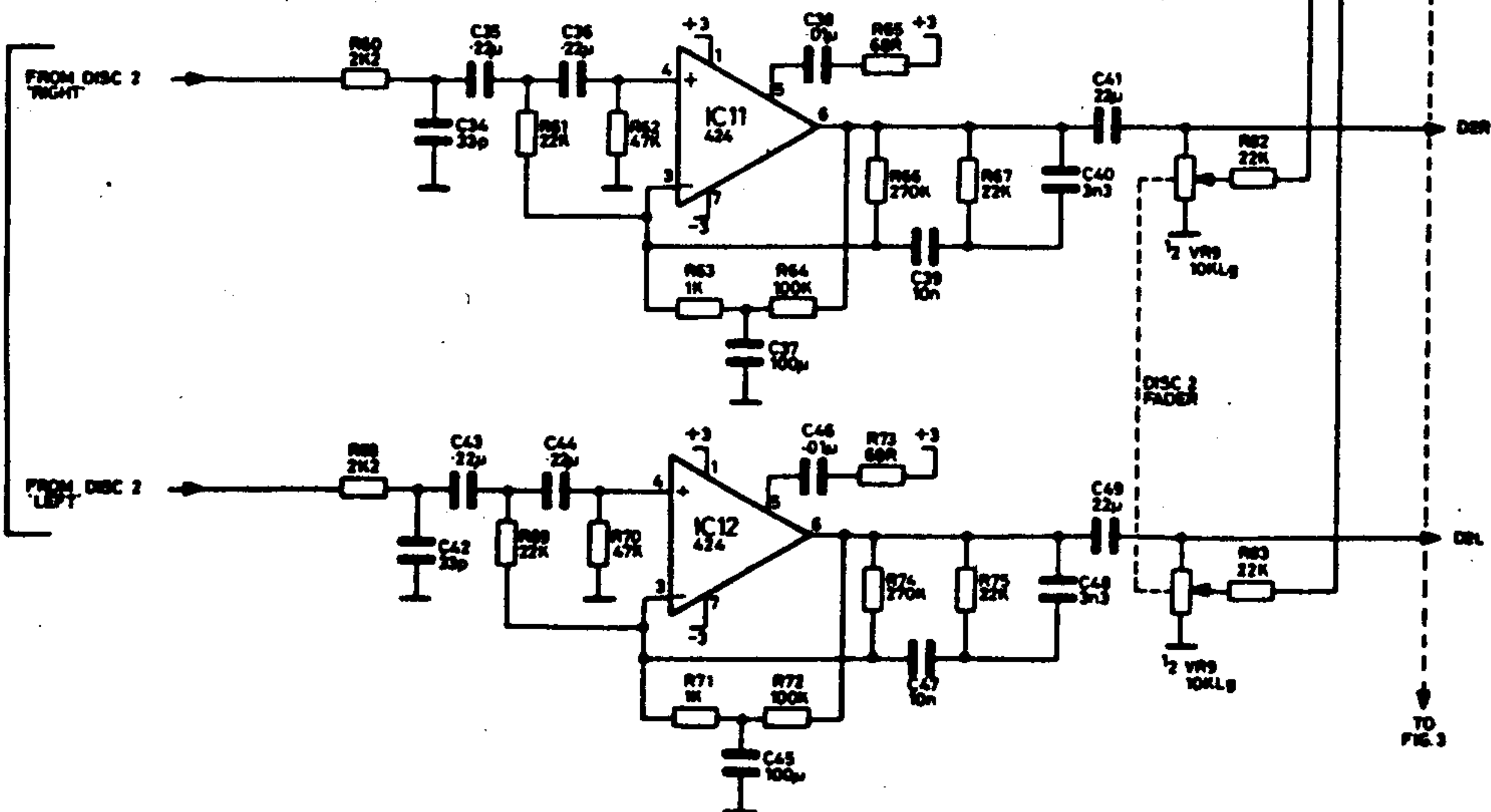
DISC 1

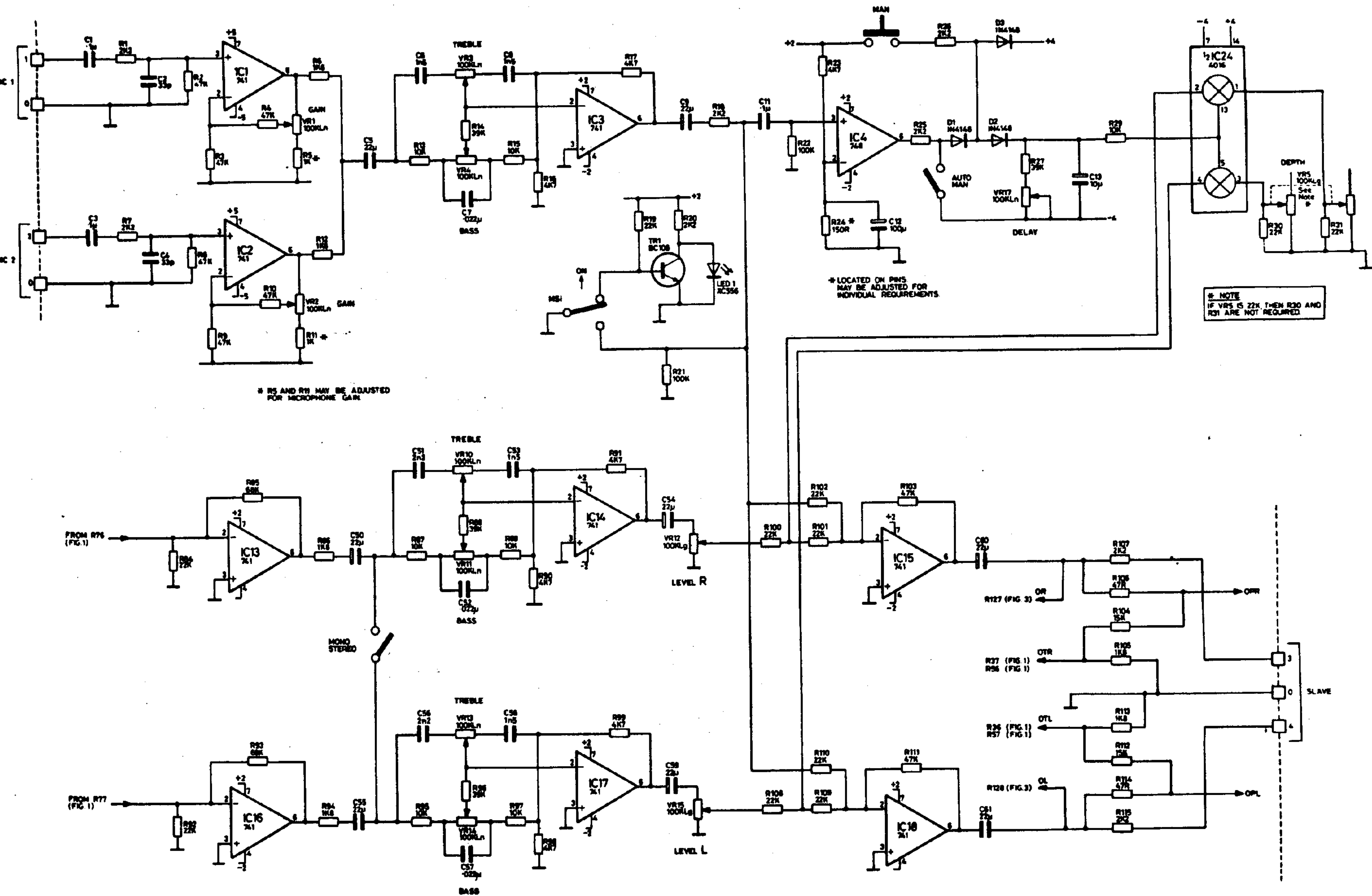


TAPE



DISC 2





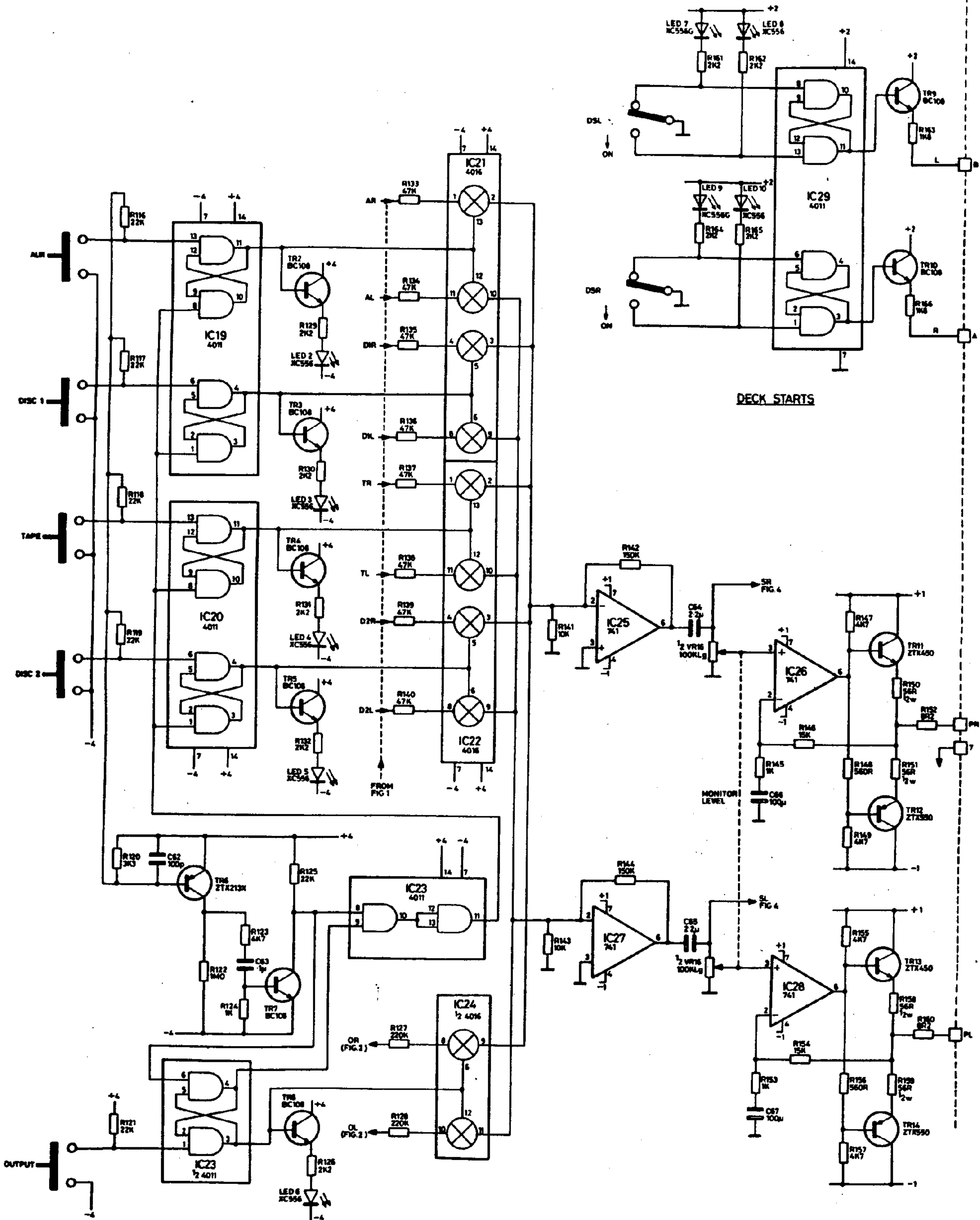
* R5 AND R11 MAY BE ADJUSTED FOR MICROPHONE GAIN

* LOCATED ON PINS MAY BE ADJUSTED FOR INDIVIDUAL REQUIREMENTS

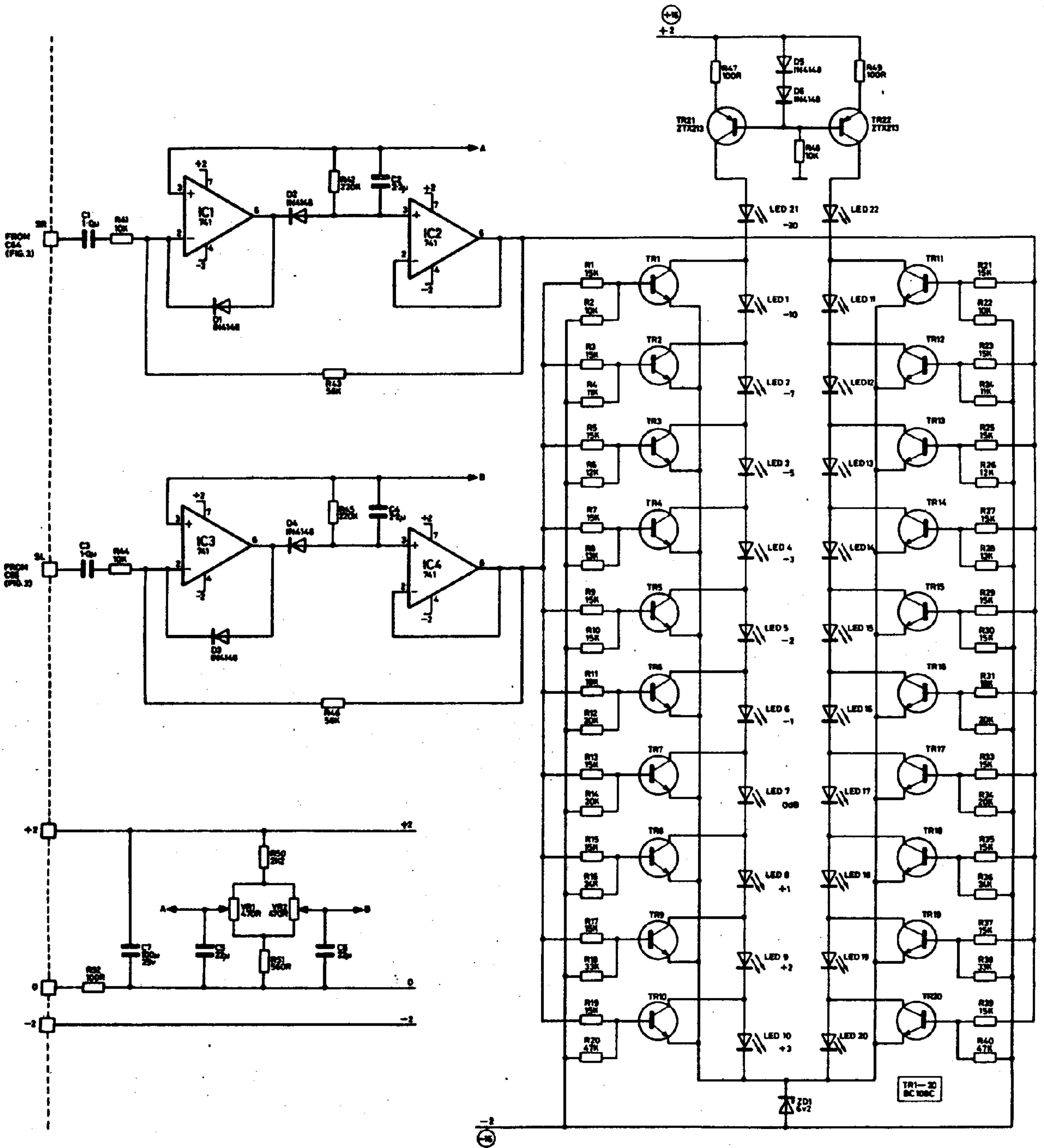
* NOTE IF VR5 IS 22K THEN R30 AND R31 ARE NOT REQUIRED

MICROPHONE & MAIN MIXING (CD.5061)

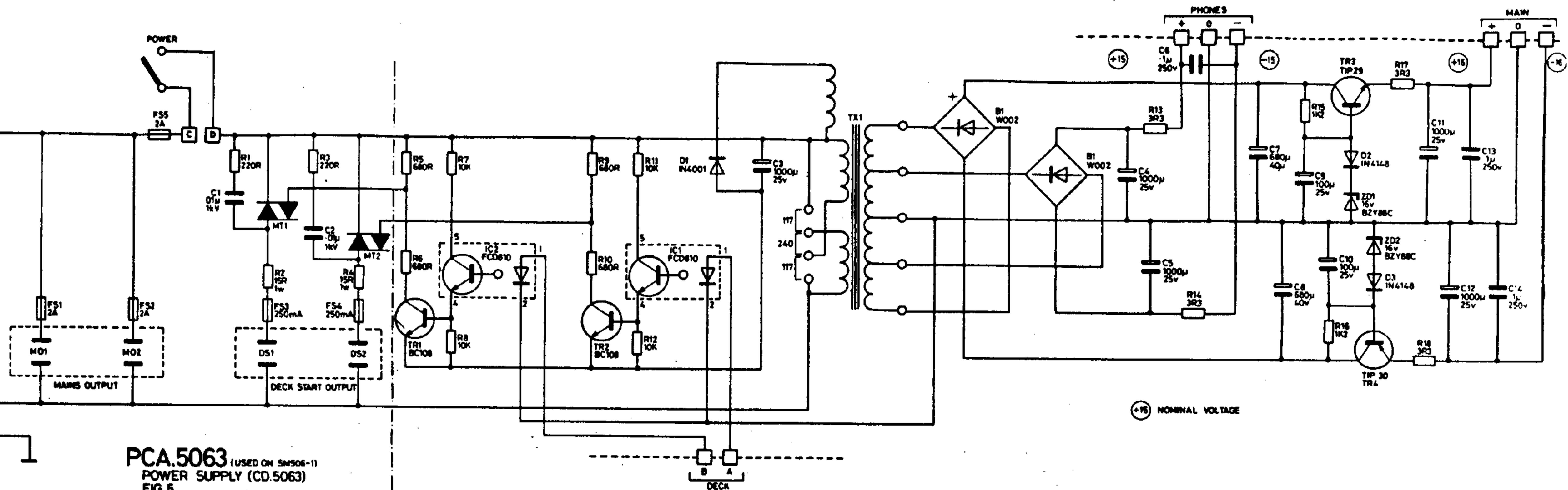
FIG. 2



MONITOR & PHONE AMPLIFIERS (CD5061)

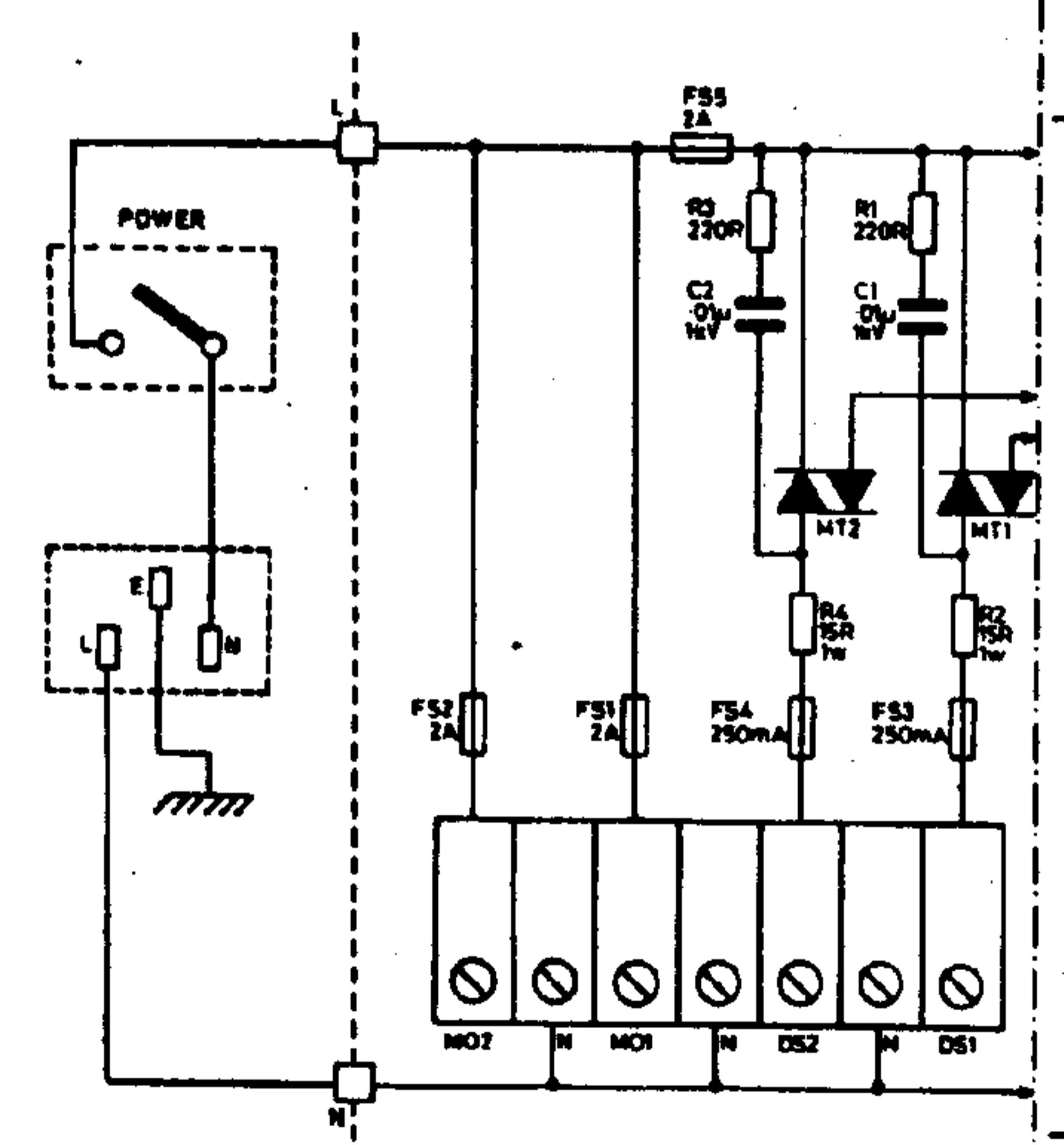


LED DISPLAY (CD 5062)



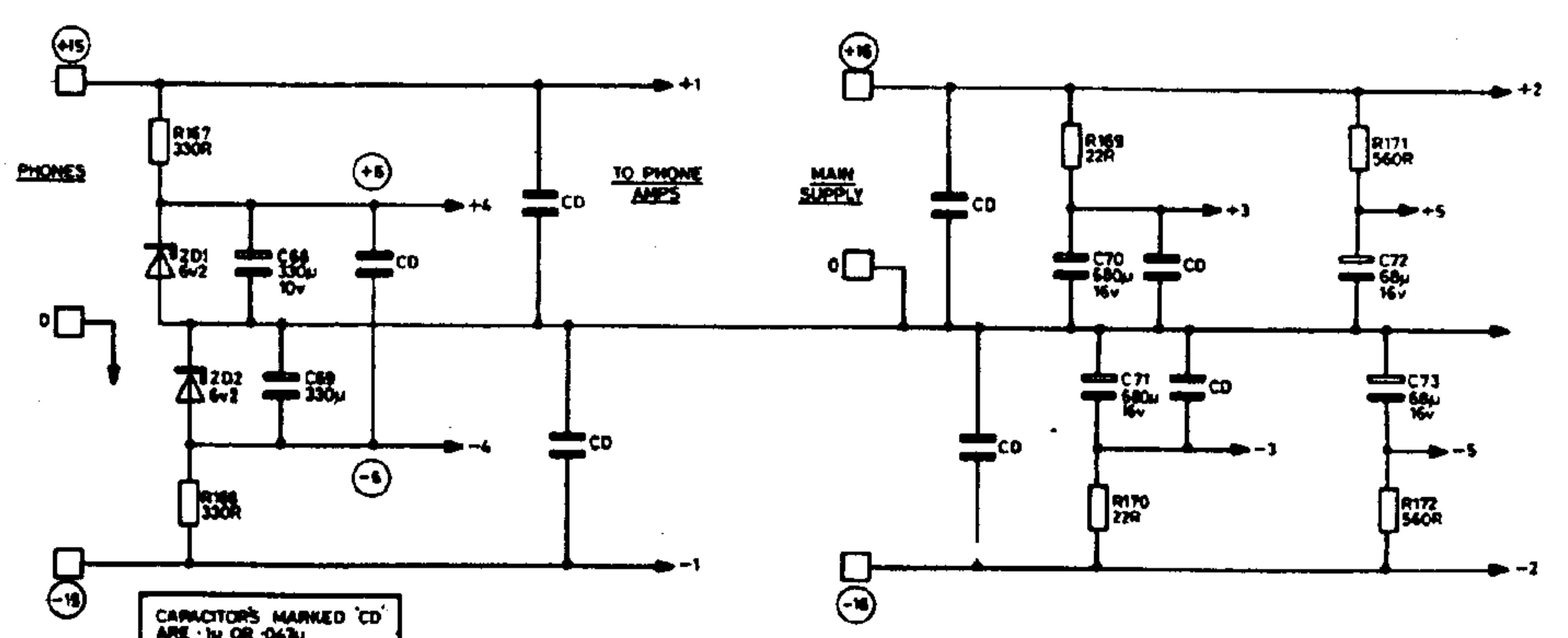
(+15) NOMINAL VOLTAGE

PCA.5063 (USED ON SM506-1)
POWER SUPPLY (CD.5063)
FIG. 5



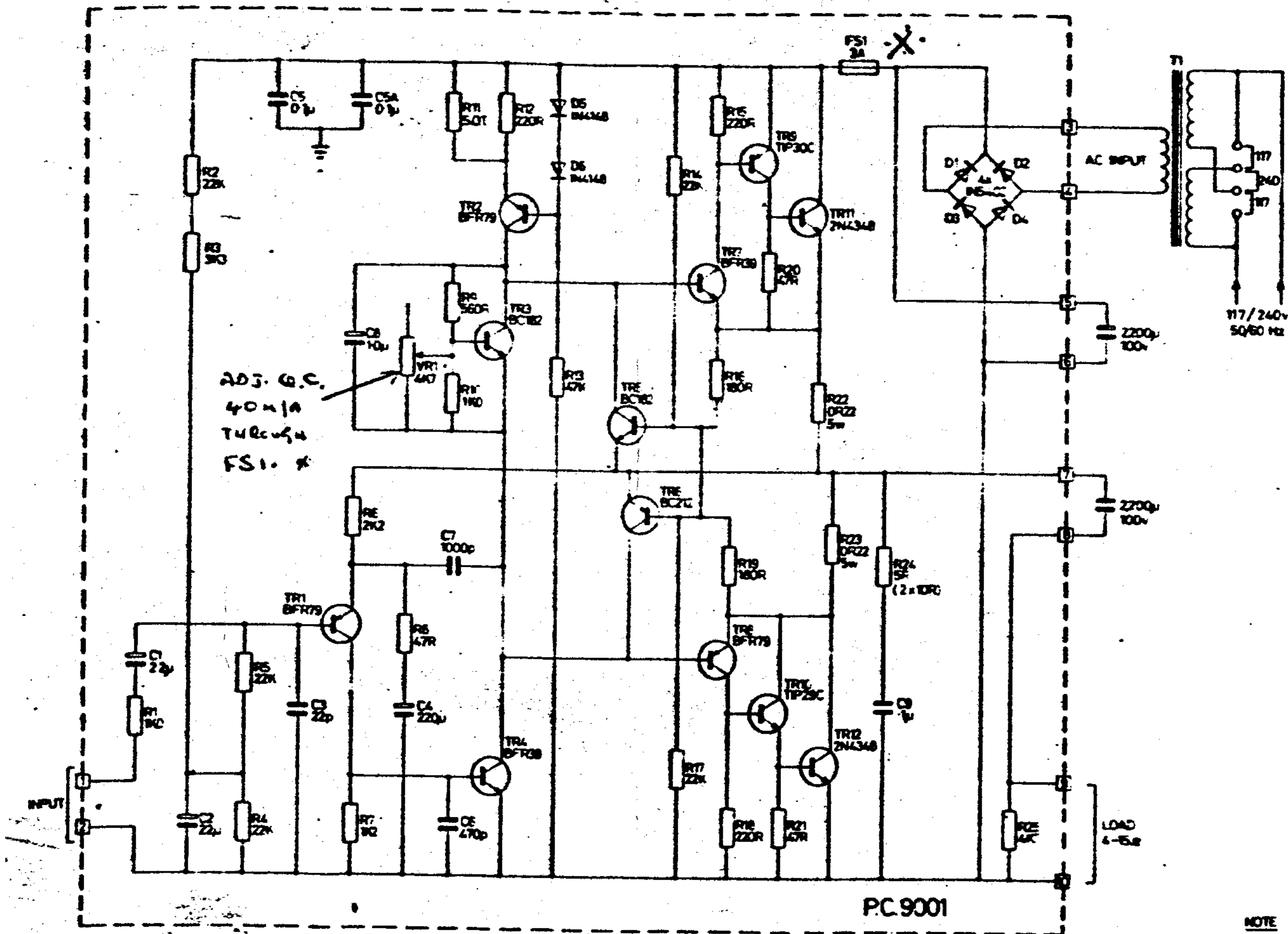
REMAINDER OF CIRCUIT
AS CD 5063 — ABOVE
OMITTING C13 & C14

PCA.5064 (USED ON SM506-2)
POWER SUPPLY (CD.5064)
FIG. 6



CAPACITORS MARKED 'CD'
ARE .1μ OR .047μ

POWER SUPPLY FILTER COMPONENTS INCORPORATED
ON MAIN PC (PC.5061)



PC 9001

NOTE
 VR1 IS ADJUSTED TO GIVE 40mA
 THROUGH FS1 AND RT1 IS
 SELECTED TO GIVE 3mA THROUGH
 TR2

CITRONIC
 POWER
 AMP

ISSUE	DATE	TITLE P100 CIRCUIT DIAGRAM	CITRONIC LTD. MELKSHAM WILTSHIRE ENGLAND