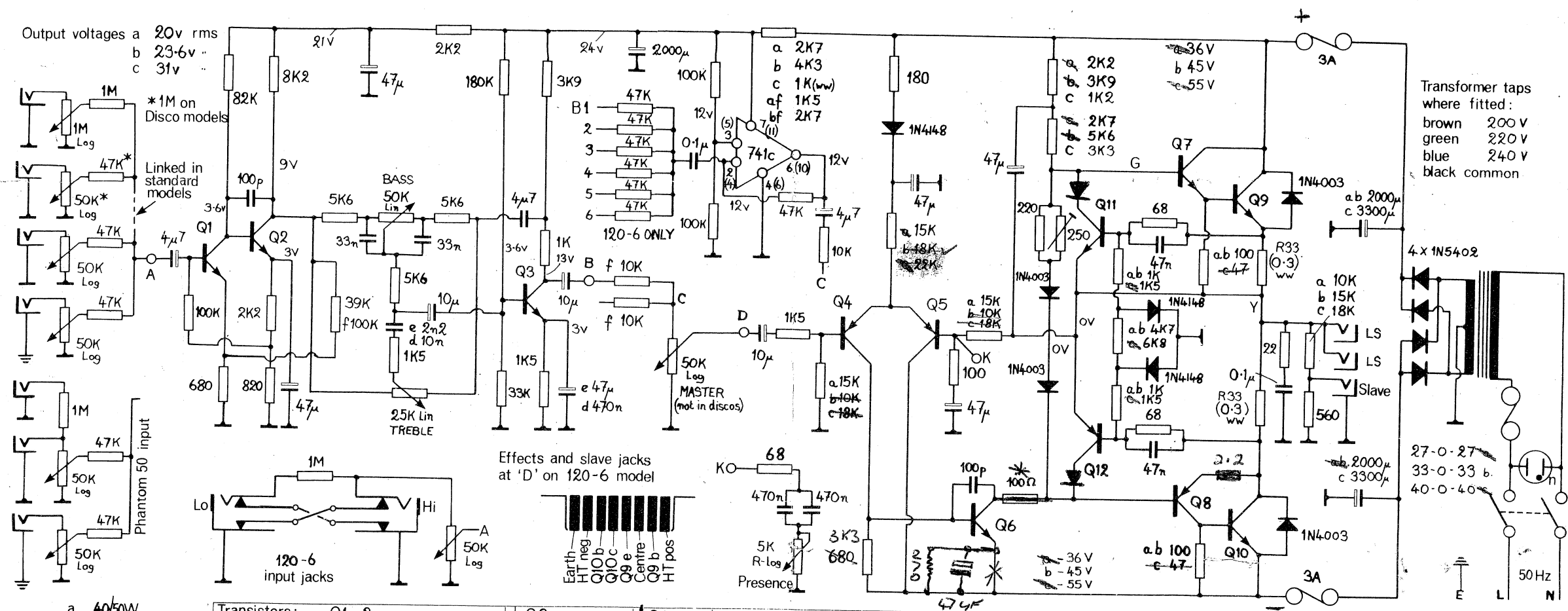
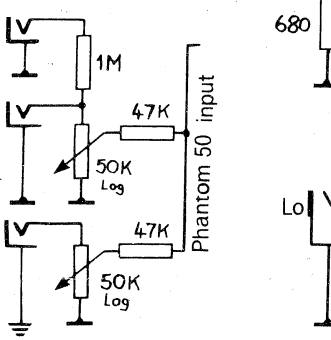
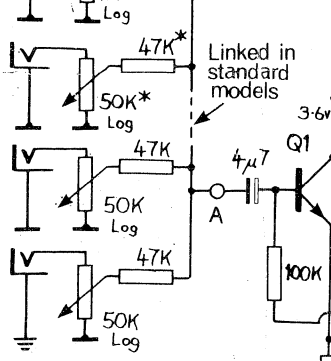


arr
was
here
18/9/85.

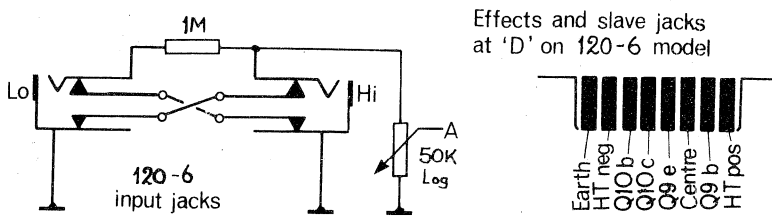


Output voltages a 20v rms
b 23-6v
c 31v

*1M on Disco models
Linked in standard models



- a 40/50W
- b 70 W
- c 120 W
- d Guitar
- e P A



Transistors:	Q1-2	Q3	Q4-5	Q6	Q7	Q8	Q9-10	Q11	Q12
50 W	BC109 BC209 BC184L	BC108 BC208	BC303	BC301 40635	BC301 40635	BC303 40634	2N3055 BD130 BD184	BC108 BC208	BC178/205
70 W				40408 2N5320	40594 2N5320	40595 2N5322	(40636) 40411	BC107 BC301	BC205/303
120 W				BC300 40327	40871 TIP 27	40872 TIP 27	2N4348 2N3773 2N6259	BC301	BC303

Phase 50 MK3, Super 50, Phantom 50, Phase 100, Super 100, PA 100, 100W Power, Stereo 200, PA 200, 120-6, Discos excluding monitor.

* NOT ON 120

Transformer taps where fitted:
brown 200 V
green 220 V
blue 240 V
black common

