

Optikinetics Ltd.

38 Cromwell Road
Luton LU3 1DN England

Phone +44 (0)1582 411413

Fax +44 (0)1582 400613

e-mail optiuk@optikinetics.com

Website www.optikinetics.com



OPERATING INSTRUCTIONS (Linear Motion)

The OPTI K Range Linear Motion Mirror moves an image back and forth in an adjustable length straight line which can be positioned at any angle through 360°.

POWER SUPPLY 12V~

PROJECTORS

The K range of Effect Projectors. K2, K2+, K4 and K1 if fitted with adjustable rails. Also fits the Solar 250 with K Mirror Mounting Brackets (FG2029).

LENSES

60mm, 85mm, 100mm and zoom lenses. Wider angle lenses like the 45mm and 25mm are not suitable.

FITTING TO A PROJECTOR

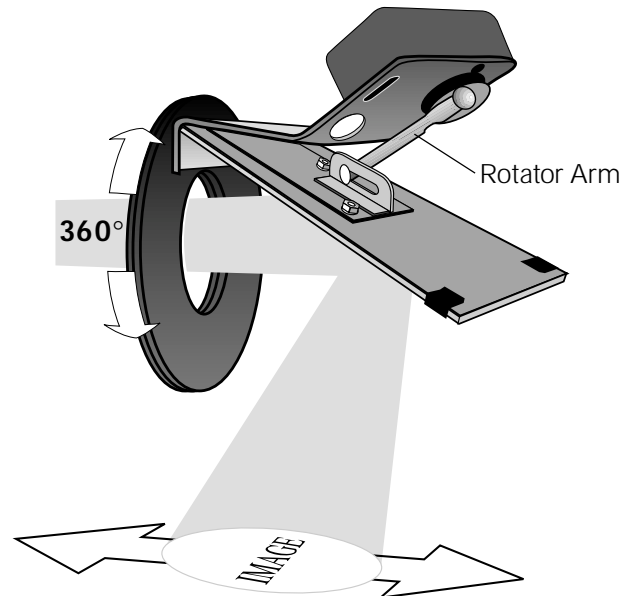
1a. K Range

- i) Check length of rails on projector. If necessary adjust to appropriate length to accommodate the mirror by loosening the rail knobs.
- ii) Loosen knobs on the angled legs of the cradle.
- iii) Insert angled sections into the 'T' section of the projector's rails. Re-tighten knobs.

1b. Solar 250

- i) Fix mounting brackets to side of projector.
- ii) Substitute flat ended nylon spacers for the scooped saddle washers supplied with the mirror.
- iii) Insert thread of knobs on angled legs into the 'U' section of the mounting brackets with the angled metal sections above and spacers below.
- iv) Tighten knobs.

2. Loosen the adjuster knob on the 'ring cradle' to rotate whole mirror assembly to desired position and then re-tighten.
3. Switch on projector with effect in the gate.
4. Tilt mirror by hand to approximately 45° and focus the projected image by adjusting lens.
5. Tighten rails, lens and mirror fixings.
6. Fit plug into one of the 12V~ sockets on the side of the Effects Projector. The mirror will now start to operate.
7. Slide adjustable linkage on rotator arm to achieve the desired length of stroke.



IMPORTANT NOTES

AN EFFECT MUST ALWAYS BE IN THE GATE OF THE PROJECTOR WHEN IN USE.

READ THE EFFECT PROJECTOR MANUAL OR INSTRUCTIONS AND THIS INSTRUCTION SHEET BEFORE USE.

IF SUSPENDED ATTACH A SAFETY CHAIN TO THE EFFECTS PROJECTOR AND MIRROR.

DO NOT OPERATE IN DAMP OR WET CONDITIONS OR ALLOW WATER TO ENTER.

DO NOT OPERATE IF GLASS IS CRACKED.

DO NOT ATTEMPT TO SERVICE THE MIRROR OR PROJECTOR UNLESS YOU ARE QUALIFIED AND WORKING UNDER THE DIRECTION OF THE MANUFACTURER OR THEIR AGENT.

CLEANING

Cleaning can be done in-situ but is best done with the mirror removed from the projector. Use a soft tissue or lens cloth with a little methylated spirit or pure alcohol and gently wipe clean.

CHANGING

1. Remove the two fixing nuts on the back of the mirror.
2. Replace with new mirror in reverse procedure.